

To : Tecnicrafts Industries  
 Attn : SALES  
 E-Mail : info@tecnicrafts.com

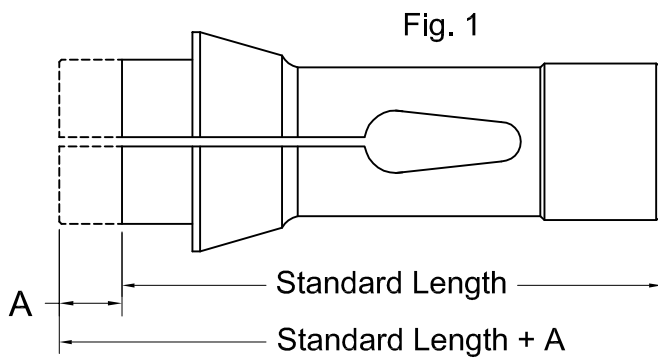
From : \_\_\_\_\_  
 Name : \_\_\_\_\_  
 E-mail : \_\_\_\_\_

Machine Make & Model : \_\_\_\_\_

**Note :** All Pick-off Collets are Smooth Bore. " Copy this Sheet Prior to Use "

## Extended Nose Collet

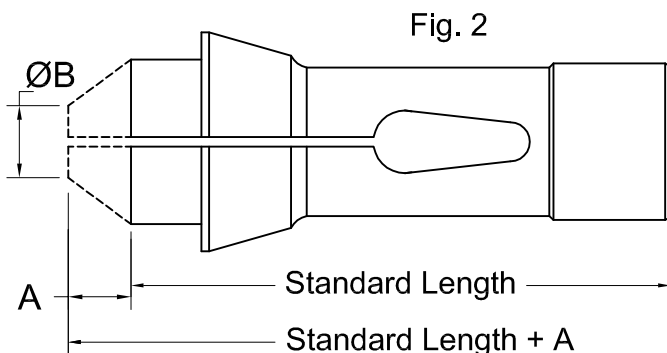
Fig.1. Straight Nose - Extended Nose Collet



A : \_\_\_\_\_

Bore Dia : \_\_\_\_\_

Fig.2. Tapered Nose - Extended Nose Collet



A : \_\_\_\_\_

ØB : \_\_\_\_\_

Bore Dia : \_\_\_\_\_

To : Tecnicrafts Industries  
 Attn : SALES  
 E-Mail : info@tecnicrafts.com

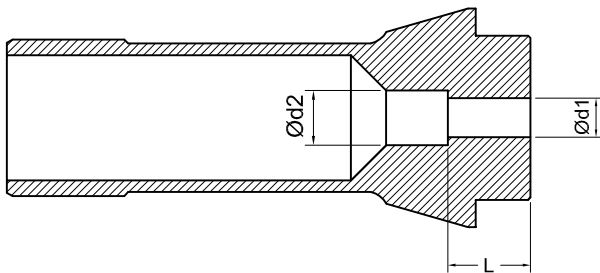
From : \_\_\_\_\_  
 Name : \_\_\_\_\_  
 E-mail : \_\_\_\_\_

Machine Make & Model : \_\_\_\_\_

**Note** : All Pick-off Collets are Smooth Bore. " Copy this Sheet Prior to Use "

# Over Grip Collet

## Fig.1. Standard Nose - Over Grip Collet



Collet Model : \_\_\_\_\_

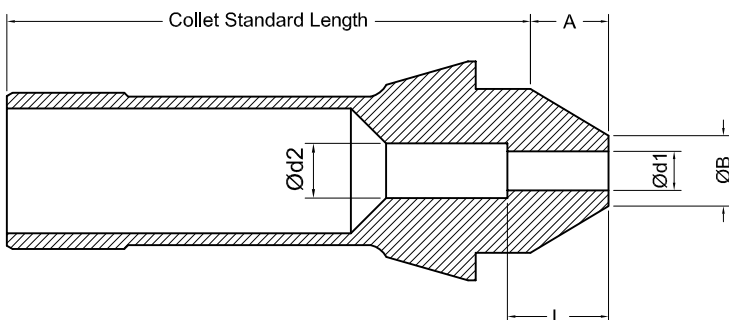
Ød1 : \_\_\_\_\_

Pass Through Dia : \_\_\_\_\_

Ød2 : ( Pass Through Dia + 1.0 mm )

L : \_\_\_\_\_

## Fig.2. Long Nose - Over Grip Collet



Collet Model : \_\_\_\_\_

Ød1 : \_\_\_\_\_

Pass Through Dia : \_\_\_\_\_

Ød2 : ( Pass Through Dia + 1.0 mm )

L : \_\_\_\_\_

A : \_\_\_\_\_

ØB : \_\_\_\_\_

To : Tecnicrafts Industries  
 Attn : SALES  
 E-Mail : info@tecnicrafts.com

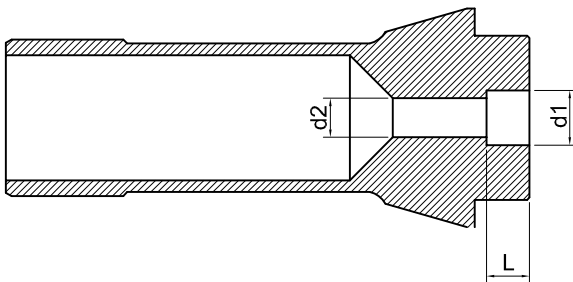
From : \_\_\_\_\_  
 Name : \_\_\_\_\_  
 E-mail : \_\_\_\_\_

Machine Make & Model : \_\_\_\_\_

**Note** : All Pick-off Collets are Smooth Bore. " Copy this Sheet Prior to Use "

## Stepped Bore Collet

Fig.1. Standard Nose - Stepped Bore Collet



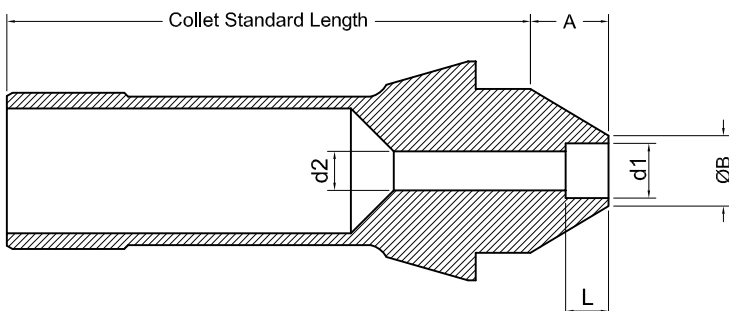
Collet Model : \_\_\_\_\_

Ød1 : \_\_\_\_\_

Ød2 : \_\_\_\_\_

L : \_\_\_\_\_

Fig.2. Long Nose - Stepped Bore Collet



Collet Model : \_\_\_\_\_

Ød1 : \_\_\_\_\_

Ød2 : \_\_\_\_\_

L : \_\_\_\_\_

A : \_\_\_\_\_

ØB : \_\_\_\_\_